



Indigo200 series transmitters

For Vaisala smart probes



Features

- Transmitter for Vaisala Indigo compatible smart probes:
 - HMP series humidity and temperature probes
 - DMP series dew point probes
 - GMP250 series CO₂ probes
 - HPP270 series vaporized hydrogen peroxide probes
 - MMP8 moisture in oil probe
- Wireless interface for configuration and temporary use
- Operating temperature: -40 ... +60 °C, with display -20 ... +60 °C
- LCD color display (optional non-display version for analog model)
- IP65 enclosure
- 24 VAC/DC power supply input
- Indigo201: 3 analog outputs (mA or V)
- Indigo202: RS-485 with Modbus RTU
- 2 configurable relays

Vaisala Indigo200 series transmitters are host devices for displaying measurement values from Vaisala Indigo compatible probes and/or transmitting them to automation systems through analog signals, Modbus RTU communication, or relays.

These probe hosts are plug-and-play devices for current and future Vaisala Indigo compatible probes. The host device has a color LCD display; Indigo201 is also available as a non-display version that uses an LED indicator for notifications.

Vaisala Indigo compatible probes are connected either directly to the host or by using a cable between Indigo200 and the probe.

Indigo200 has a browser-based wireless configuration interface for mobile devices and computers that support a wireless connection (IEEE 802.11 b/g/n WLAN). The host device and the probes connected to it can be configured using the wireless user interface. It also allows for temporary viewing of the measurement data.

The surface of the Indigo200 enclosure is smooth, which makes it easy to clean. It is also resistant to dust and most chemicals, such as H₂O₂ and alcohol-based cleaning agents.



Wireless configuration interface example (desktop and mobile views)

For more information on Indigo transmitters and the Indigo product family, see www.vaisala.com/indigo.

Technical data

General

- LCD color display (Indigo201: optional non-display version)
- Wireless (WLAN) configuration interface: connect to Indigo200 and use the browser-based user interface for device configuration and measurement data viewing

Indigo compatible smart probes

| Measurement type | Probe models |
|-----------------------------|--|
| Humidity and temperature | HMP1, HMP3, HMP4, HMP5, HMP7, HMP8, HMP9 |
| Temperature | TMP1 |
| Dew point | DMP5, DMP6, DMP7, DMP8 |
| CO ₂ | GMP251, GMP252 ¹⁾ |
| Vaporized hydrogen peroxide | HPP271, HPP272 |
| Moisture in oil | MMP8 |

¹⁾ All GMP251 and GMP252 probes manufactured from 2017 onwards (serial numbers starting with the letter N or later in alphabetical order) have full Indigo compatibility.

Operating environment

| | |
|-----------------------|--|
| Operating temperature | With display -20 ... +60 °C (-4 ... +140 °F) Without display -40 ... +60 °C (-40 ... +140 °F) |
| Storage temperature | -40 ... +70 °C (-40 ... 158 °F) |
| Chemical tolerance | Temporary exposure during cleaning: <ul style="list-style-type: none"> • H₂O₂ (6000 ppm, non-condensing) • Alcohol-based cleaning agents such as ethanol and IPA (max. 70 % concentrate) |

Inputs and outputs

| | |
|---|--|
| Power supply input | 15 ... 30 VDC ¹⁾ 24 VAC ±10 % 50/60 Hz |
| Relay contacts x 2 | Max. switching power 30 W Max. switching current 1 A Max. switching voltage 40 VDC / 28 VAC |
| Indigo201 model | |
| Three analog outputs (voltage or current) | Voltage: 0 ... 1 V, 0 ... 5 V, 0 ... 10 V, 1 ... 5 V, scalable, min. load 1 kΩ Current: 4 ... 20 mA, 0 ... 20 mA, scalable, max. load 500 Ω |
| Accuracy of analog outputs at 20 °C | ±0.1 % full scale for 0 ... 10 V and 0 ... 20 mA |
| Indigo202 model | |
| Digital communications | RS-485, Modbus RTU |

¹⁾ When used with the HMP7 probe, the minimum required power supply input is 18 VDC.

Mechanical specifications

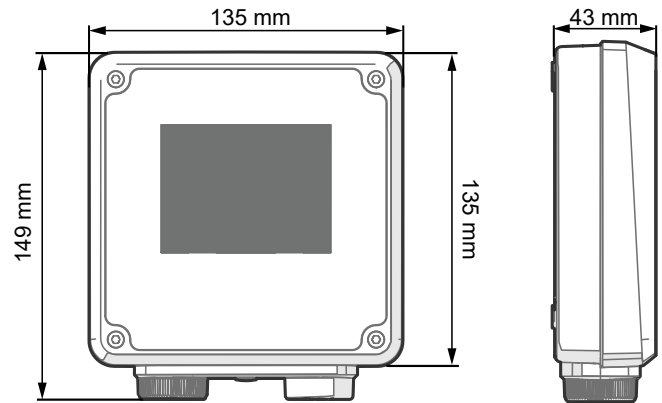
| | |
|----------------------------|--|
| Housing classification | IP65 |
| Housing material | PC/ABS plastic |
| Display window material | PMMA plastic |
| Connection screw terminals | 26 AWG ... 20 AWG |
| Weight | 402 g (14.2 oz) |
| Dimensions (H×W×D) | 149 × 135 × 43 mm (5.87 × 5.31 × 1.7 in) |

Compliance

| | |
|---|---|
| Safety standard | IEC/UL/EN 61010-1 |
| Networking standards (wireless configuration interface WLAN access point) | IEEE 802.11 b/g/n compliant |
| EMC compliance | EN61326-1, Generic Environment |
| Contains | FCC ID QOQ-WGM110, IC 5123A-WGM110, MIC 209-J00197, MSIP-CRM-BGT-WGM110 |

Spare parts and accessories

| | |
|------------------------------|----------------|
| Probe connection cable, 1 m | INDIGOCABLE1M |
| Probe connection cable, 3 m | INDIGOCABLE3M |
| Probe connection cable, 5 m | INDIGOCABLE5M |
| Probe connection cable, 10 m | INDIGOCABLE10M |



Indigo200 series dimensions



VAISALA

www.vaisala.com

Published by Vaisala | B211628EN-H © Vaisala 2020

All rights reserved. Any logos and/or product names are trademarks of Vaisala or its individual partners. Any reproduction, transfer, distribution or storage of information contained in this document is strictly prohibited. All specifications – technical included – are subject to change without notice.



Distributed by: Kenelec Scientific Pty Ltd | 1300 73 22 33 | sales@kenelec.com.au | www.kenelec.com.au