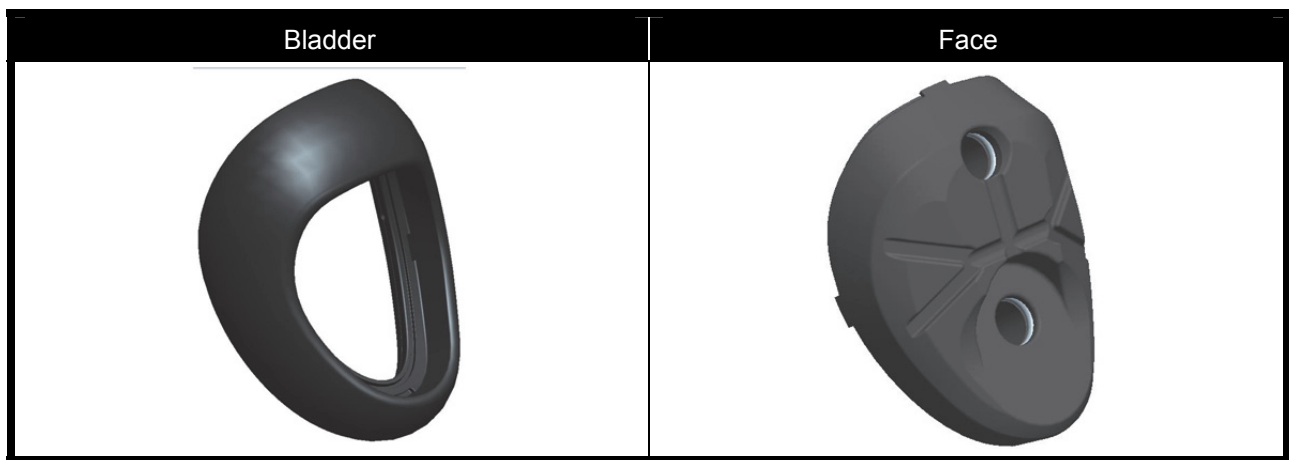




BLADDER REPLACEMENT KIT TSI P/N 801769

INSTALLATION INSTRUCTIONS



1. Remove 3 bolts, using 3/16" Allen tool.

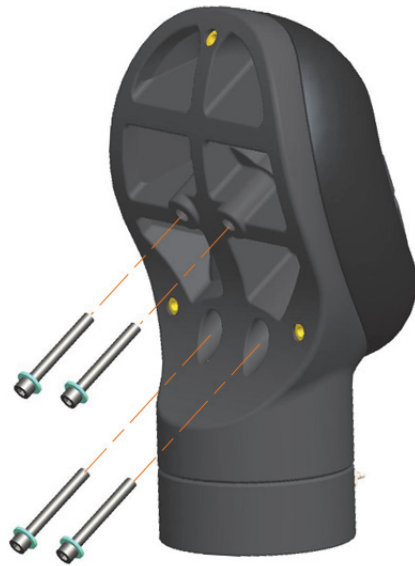


2. Remove back of Head.



3. Remove 4 bolts, using 3/16" Allen tool.

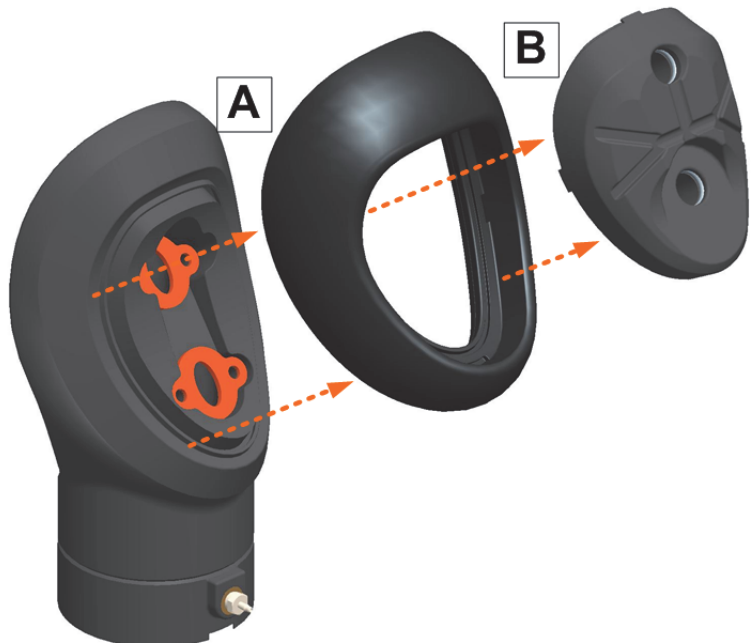
NOTE: Do **NOT** set head down on face which can break throat fitting.



4. Remove Face and Bladder together (A).

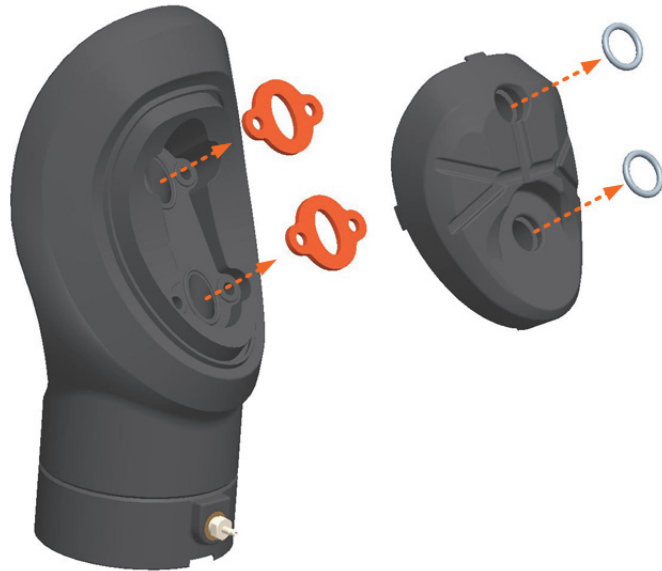
5. Separate Face from Bladder (B).

6. Discard used bladder.



7. Discard used seals and O-rings.

NOTE: Do **NOT** use metal tool as it will scratch plastic.



8. Discard used O-rings.

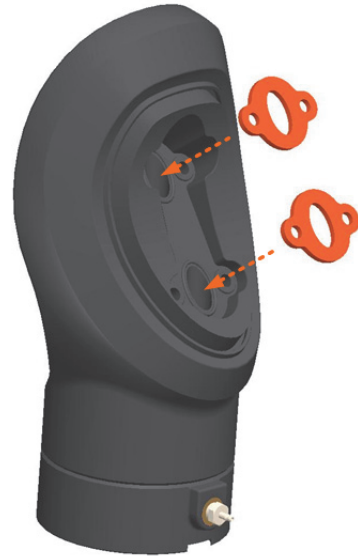
NOTE: Do **NOT** use metal tool as it will scratch plastic.



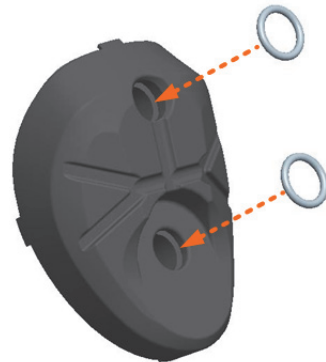
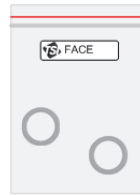
9. Replace 3 O-rings.



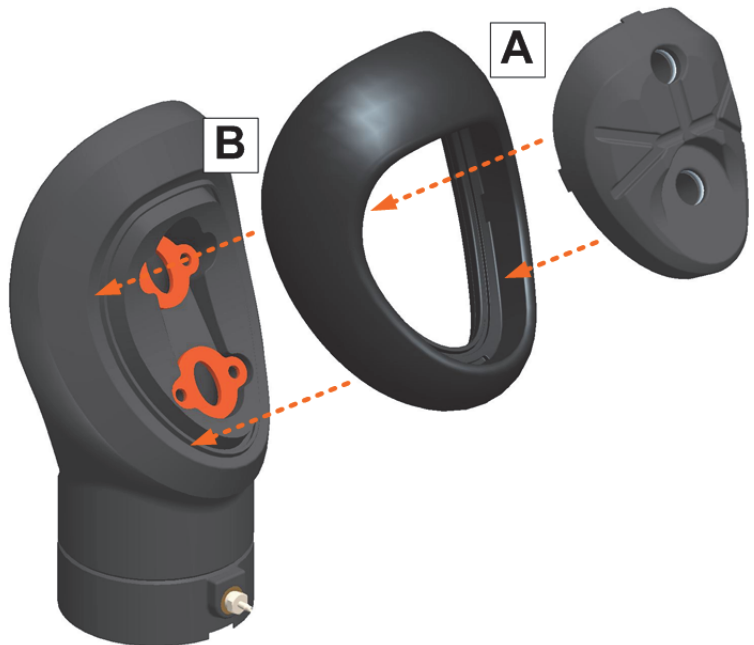
10. Replace 2 orange seals.



11. Replace 2 O-rings.



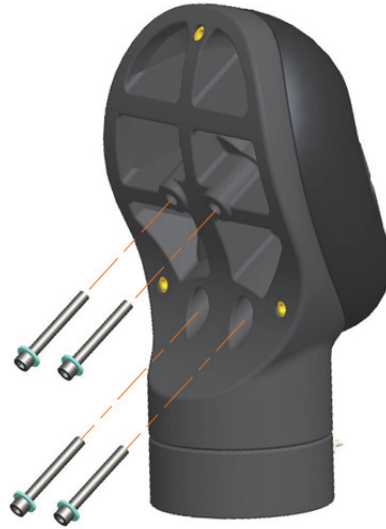
12. Place Face on Bladder (A).
13. Place Bladder on Head (B).



14. Install 4 bolts, using 3/16" Allen tool—verify washers are present.

NOTE: Do **NOT** set head down on face which can break trachea fitting.

Do **NOT** over-torque bolts which will cause inserts to break free and spin. Recommended torque of 5 in. per lb.





15. Verify gap between top of bladder and head is **LESS THAN 1/8 in.**



16. Install back of Head.



<p>17. Install 3 screws—verify washers are present.</p>	
<p>Do NOT over-torque bolts which will cause inserts to break free and spin. Recommended torque of 5 in. per lb.</p>	
<p>18. Installation is complete!</p>	
<p>NOTE: Run self-check before conducting mask tests to verify bladder seal integrity.</p>	



UNDERSTANDING, ACCELERATED

TSI Incorporated – Visit our website www.tsi.com for more information.

USA Tel: +1 800 874 2811
 UK Tel: +44 149 4 459200
 France Tel: +33 4 91 11 87 64
 Germany Tel: +49 241 523030

India Tel: +91 80 67877200
 China Tel: +86 10 8219 7688
 Singapore Tel: +65 6595 6388



Distributed by:
 Kenelec Scientific Pty Ltd
 1300 73 22 33
sales@kenelec.com.au
www.kenelec.com.au