

# INSTALLING THE POWER SUPPLY INTO ENVIRONMENTAL ENCLOSURE MODEL 854030



QUICK START GUIDE

This guide will help you quickly install the Power Supply for Environmental Enclosure Model 854030.






## Unpacking the Power Supply (854034) for the Environmental Enclosure (854030)

1. Unpack the Power Supply (854034) for Environmental Enclosure (854030) and verify that all the items listed in the following table are present.
2. Contact [TSI](#) immediately if items are missing or broken.

Qty.	Item Description	Reference Picture
1	Power Supply	
1	Mounting Bracket	

## User Replaceable Parts

Reference Picture	Description	Manufacturer	Part Number
	Connector 2 Position Spring Cage SP 4/2	Phoenix Contact	3042890
	Power Supply Ground	Phoenix Contact	3042722
	Power Supply Connection	Phoenix Contact	3042719

## External AC Electrical Cord

The 854034 Power Supply will be shipped with a country-specific External AC Electrical Cord configured for plug receptacles in the country receiving the instrument. Alternate External AC Electrical Cords can be ordered referencing the part numbers below.

Part number	Description of Cord End Plug
1303900	US
1303901	Euro
1303902	Australia/ China
1303903	UK/HK
1303904	Switzerland

# Installing the Power Supply (854034)

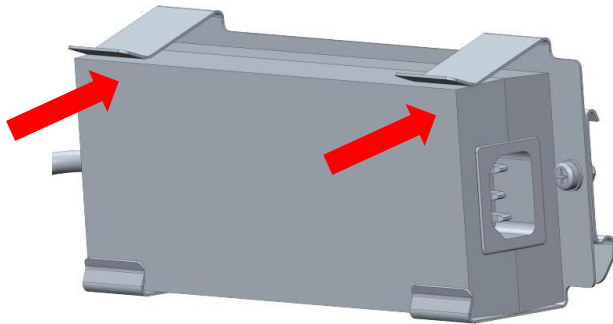
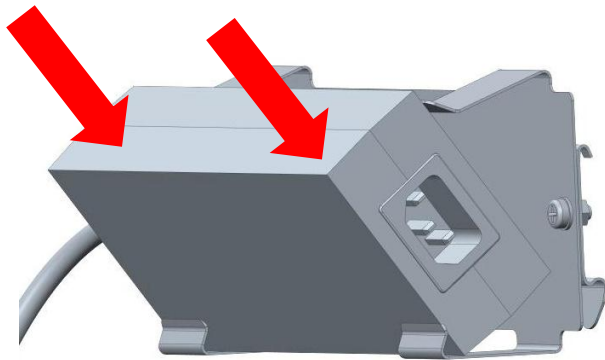


**WARNING**  
The 854030 Enclosure has been designed to be used with TSI supplied Power Supplies Only. **DO NOT** use any substitutions.



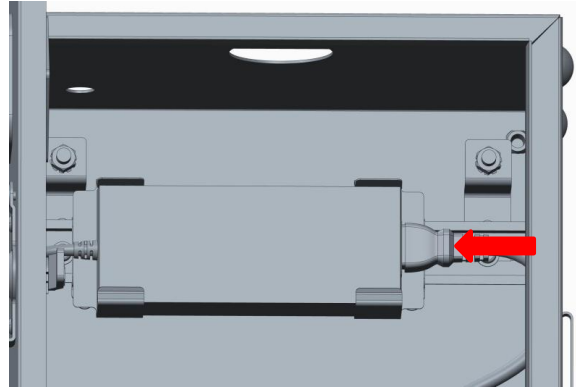
**Caution**  
Prior to installing/removing the 854034 Power Supply ensure all external power going into the 854030 is turned off and the external supply cable is disconnected from the external connector on the 854030 Enclosure.

1. Remove the KEP-Nut from the standoff (qty: 2) and install the DIN Rail Mount and DIN Rail.
2. Install Power Supply into Mounting Bracket.

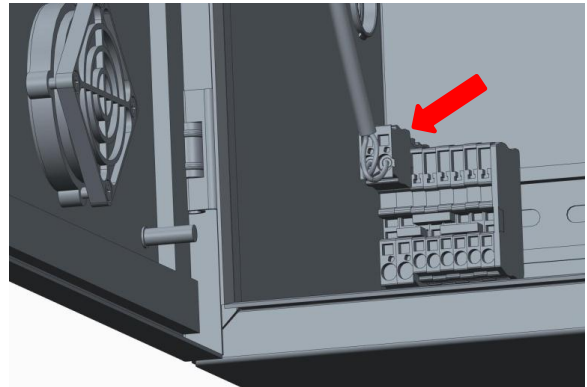


3. Install power supply and mounting bracket onto DIN Rail by hanging bracket by the top clip and pushing the bottom of the bracket down into place.

4. Attached Power Cord to Power Supply.



5. Plug Power Supply into Lower DIN Rail.



## Power Supply Specifications

Output Voltage .....	24 VDC
Rated Current .....	5A
Rated Power .....	120 W (max)



**WARNING**  
**DO NOT** hot-plug the Power Supply into the DIN Rail. Always connect the 854034 Power Supply first and then turn on any components located in the 854030 Enclosure.



**WARNING**  
The 854034 Power Supply is not weather proof and should **NOT** be subjected to outside precipitation or other adverse outside weather conditions.



UNDERSTANDING, ACCELERATED

TSI Incorporated – Visit our website [www.tsi.com](http://www.tsi.com) for more information.

USA Tel: +1 800 874 2811 India Tel: +91 80 67877200  
 UK Tel: +44 149 4 459200 China Tel: +86 10 8219 7688  
 France Tel: +33 1 41 19 21 99 Singapore Tel: +65 6595 6388  
 Germany Tel: +49 241 523030



Distributed by:  
 Kenelec Scientific Pty Ltd  
 1300 73 22 33  
[sales@kenelec.com.au](mailto:sales@kenelec.com.au)  
[www.kenelec.com.au](http://www.kenelec.com.au)