

QUICK REFERENCE GUIDE

Mounting Flange for Humidity Probes



- For mounting a 12mm probe in a through-wall installation
- Includes a plug for sealing the cable pass-through of a HMM100 humidity module
- Operating temperature range -70 ... +180 °C (-94 ... +356°F)

GENERAL

The mounting flange for 12mm humidity probes is a silicone flange for sealing the hole and mounting the probe in a through-wall installation. Included with the flange are:

- a coaxial silicone plug, suitable for the cable of the HMM100 humidity module
- a stainless steel clamp
- three screws

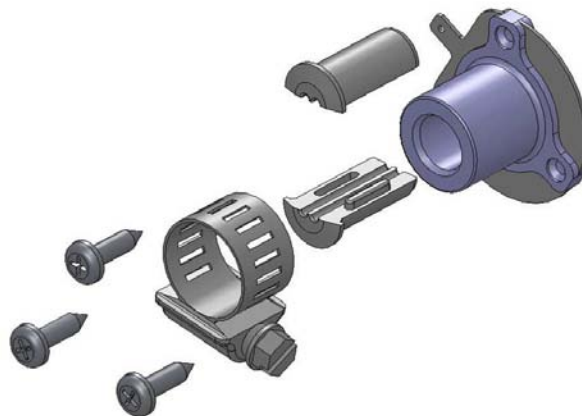


Figure 1 Mounting Flange Parts

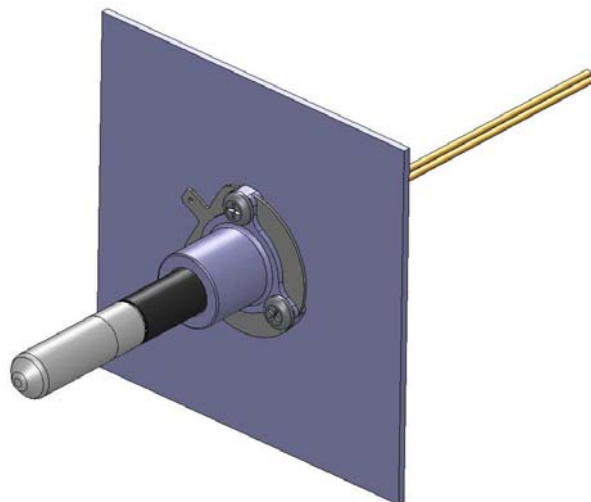


Figure 2 HMM100 Probe Mounted in Flange

INSTALLATION

1. Make a hole in the chamber wall:
 - The hole must be minimum 12.5mm (1/2"), maximum 22mm. For dimensions, see Figure 6.
 - To fit the flange through the hole as in Figure 3, use a 22mm hole.
2. Hold the flange as desired and attach it to the wall using three screws. Push the screws through the three points where the silicone is thinnest.
3. Optional: fit the stainless steel clamp around the flange. You may have to open the clamp a bit to make room to push the probe through.

NOTE	Using the clamp is not mandatory. Use it if the flange alone is not enough to hold the probe in your application.
-------------	---

4. To mount the probe in the flange: push the probe through the flange so that the filter is past the silicone, and enough of the probe remains inside the flange to hold it tightly. See Figure 2
 To use the cable plug (HMM100 only): Push the probe through the flange, and insert enough cable in the chamber to avoid heat conduction, and to allow the probe to be installed and moved properly for calibration. Assemble the coaxial plug around the cable, and push it into the flange.
5. Tighten the clamp (if used).
6. Optional: ground the flange from the 4.8mm Abiko push-on male terminal on the flange.



INSTALLATION EXAMPLES

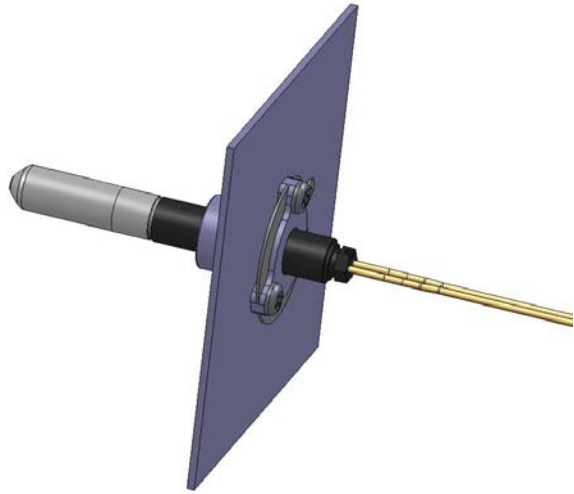


Figure 3 Mounting the Flange Through Wall

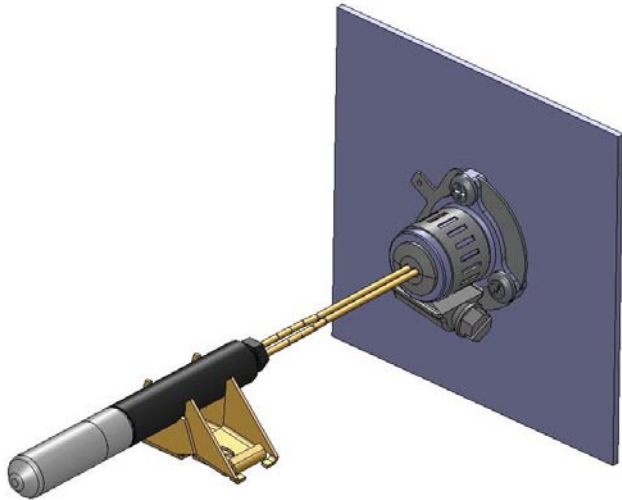


Figure 4 Mounting HMM100 with Cable Plug

DIMENSIONS

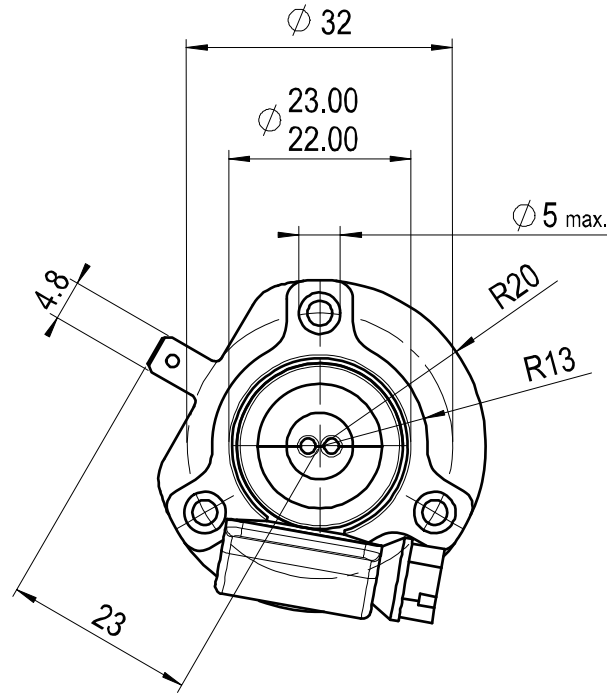


Figure 5 Mounting Flange Dimensions

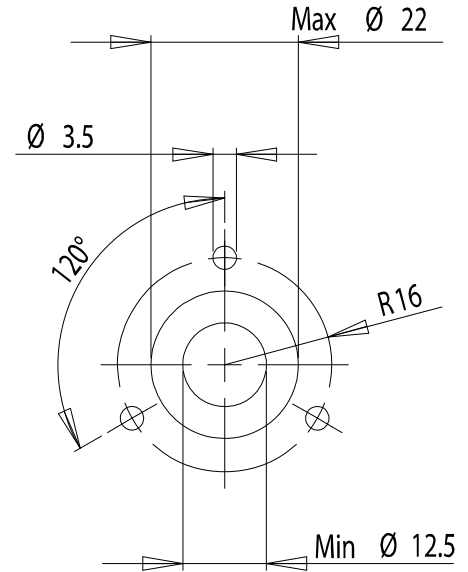
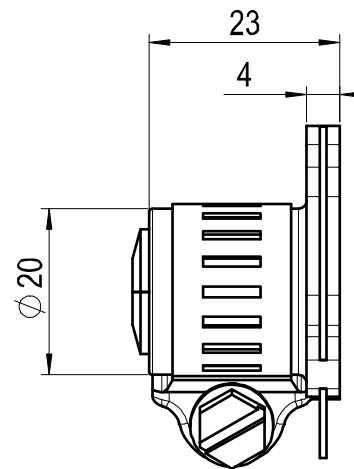


Figure 6 Mounting Hole Dimensions