

## Vaisala HMD70U/Y humidity transmitter

**Output quantities:** Relative humidity (%), temperature ( $^{\circ}\text{C}/^{\circ}\text{F}$ ) in model HMD70Y

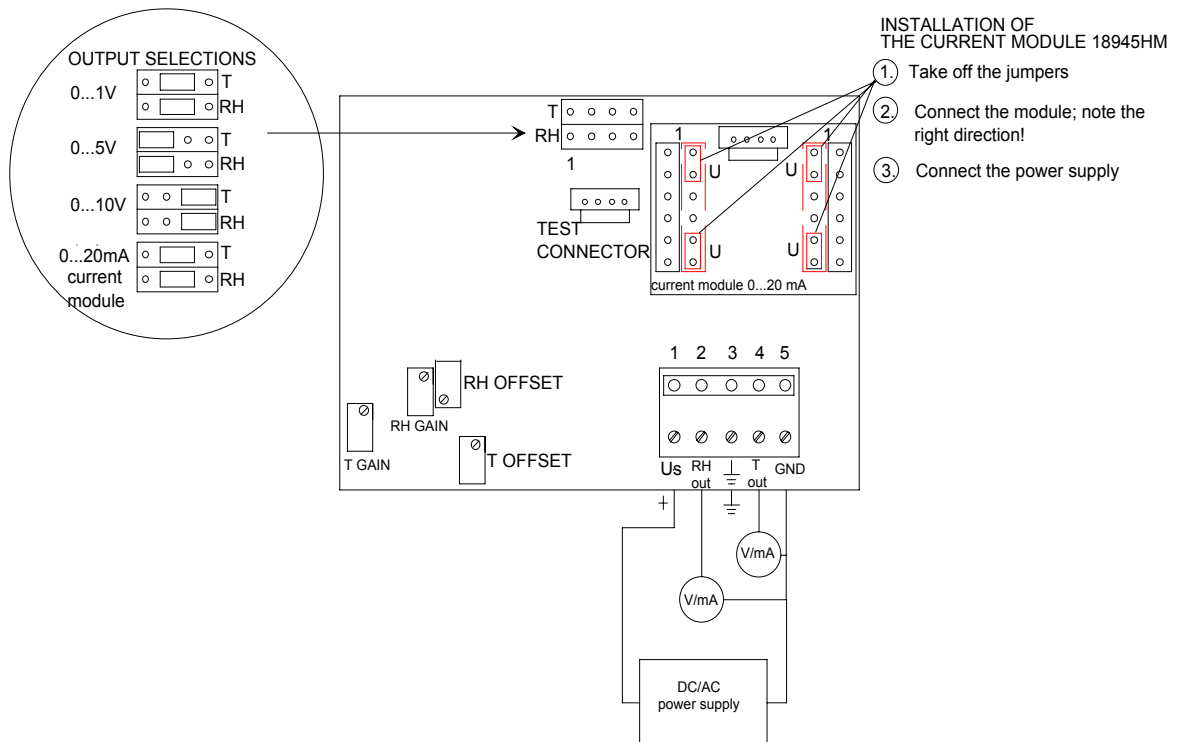
**Supply voltage:** Range depends on the selected output signal as follows:

The current outputs require an optional output model ( part no. 18945HM)

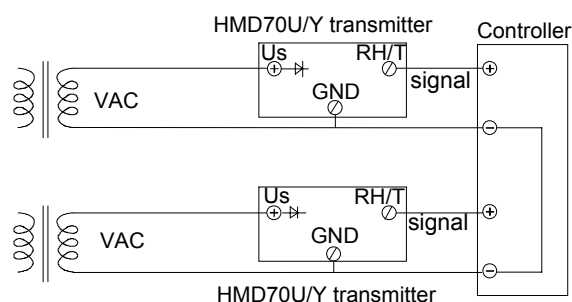
OUTPUT SIGNALS	DC	AC
0...1 V	10...35 V	9...24 V
0...5 V	14...35 V	12...24 V
0...10 V	19...35 V	16...24 V
0...20 mA ( $R_L = 0 \Omega$ )	10...35 V	11...24 V
0...20 mA ( $R_L = 500 \Omega$ )	20...35 V	17...24 V

**Screw terminals:** 0.5...1.5 mm<sup>2</sup>

## Wiring diagram



## Connection to an AC supply





Distributed by:  
Kenelec Scientific Pty Ltd  
1300 73 22 33  
[sales@kenelec.com.au](mailto:sales@kenelec.com.au)  
[www.kenelec.com.au](http://www.kenelec.com.au)