

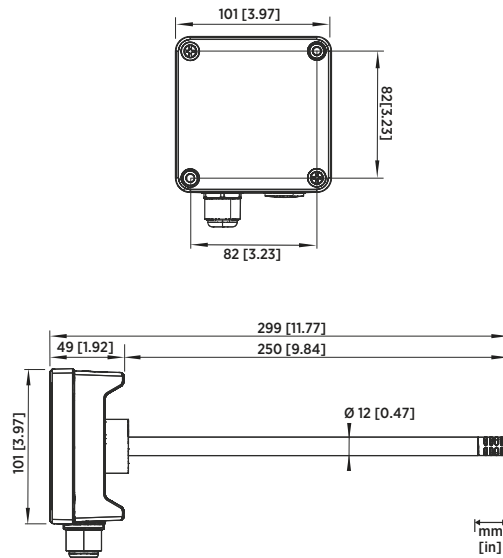
## Comparison table of HUMICAP® Humidity and Temperature Transmitter HMD60Y and HUMICAP® Humidity and Temperature Transmitter HMD62



FEATURES	Current HMD60Y	New HMD62
<b>Mechanical footprint</b>	Body 100x100x62 mm	101x101x49 mm fits same mounting holes
<b>Probe length</b>	250 mm	250 mm
<b>Materials</b>	Aluminum body Stainless steel probe Chrome plated plastic filter	Aluminum body Stainless steel probe Stainless steel filter
<b>Output signals</b>	2x 4 ... 20 mA floating current loops 0...100%RH -20 ... +80°C	2x 4 ... 20 mA floating current loops Default scale: 0...100%RH -20 ... +80°C Configurable with Insight software
<b>Calculated parameters</b>	None	Selectable by DIP: Dew point, Wet bulb, Enthalpy, Absolute humidity, Mixing ratio
<b>Measurement accuracy at room temperature</b>	RH: ±2%RH 0 ... 90%RH T: ± 0.2°C	RH: ±1.5%RH 0 ... 90%RH T: ± 0.1°C
<b>Operating temperature range</b>	-20 ... +80°C (probe) -20 ... +60°C (body)	-40 ... +80°C (probe+ body)
<b>Field adjustment</b>	Trimmers	Trimmers HM70 Insight software
<b>Humidity only model</b>	Available: HMD60U humidity only HMD60T temperature only	Temperature output is always included. Powering of temperature output is optional. Temperature only model TMD62 available

FEATURES	Current HMD60Y	New HMD62
Ingress protection class	IP65 IP6X = Dust tight IPX5= Water jets	IP66 and NEMA4X IP6X = Dust tight IPX6= Powerful water jets
Humidity sensor	HUMICAP®180	Latest HUMICAP®R2 for improved corrosion resistance

### HMD60 dimensions



**VAISALA**



Distributed by:  
Kenelec Scientific Pty Ltd  
1300 73 22 33  
sales@kenelec.com.au  
www.kenelec.com.au



Scan the code for more information

Ref. B211747EN-A ©Vaisala 2018

This material is subject to copyright protection, with all copyrights retained by Vaisala and its individual partners. All rights reserved. Any logos and/or product names are trademarks of Vaisala or its individual partners. The reproduction, transfer, distribution or storage of information contained in this brochure in any form without the prior written consent of Vaisala is strictly prohibited. All specifications — technical included — are subject to change without notice.

www.vaisala.com