

PRESSURA™ Model 8631-HM Room Pressure Monitor

Description

The Model 8631-HM PRESSURA room pressure controller is an excellent hospital isolation room pressure monitor. A stand-alone device, the Model 8631-HM measures the actual room pressure differential using TSI's unique, bi-directional pressure sensor. If the pressure differential is too great, too small, or the wrong direction, the Model 8631-HM will activate audible and visual alarms.

The Model 8631-HM also helps avoid nuisance alarms. Adjustable alarm delays allow traffic to enter the room without triggering alarms. Should a non-infectious patient be housed in the room, the nursing staff can set the monitor to no isolation mode, deactivating the alarms.

The Model 8631-HM easily integrates to the building management system, using LonWorks®, an analog output and alarm relays.



Features

- Meets CDC Guidelines for Preventing the Transmission of Mycobacterium Tuberculosis, 1994
- Meets CDC Guidelines for Environmental Infection Control in Health-Care Facilities, 2003
- Meets AIA Guidelines for Design and Construction of Hospital and Health-Care Facilities, 2001
- Stand-alone room monitor provides system reliability
- Direct pressure measurement provides continuous monitoring
- Audible and visual alarms warn staff of potentially unsafe conditions
- Convenient integral keypad and display support local programming
- Passwords protect unauthorized access to controller functions
- Network communications allow for building-wide control efficiencies

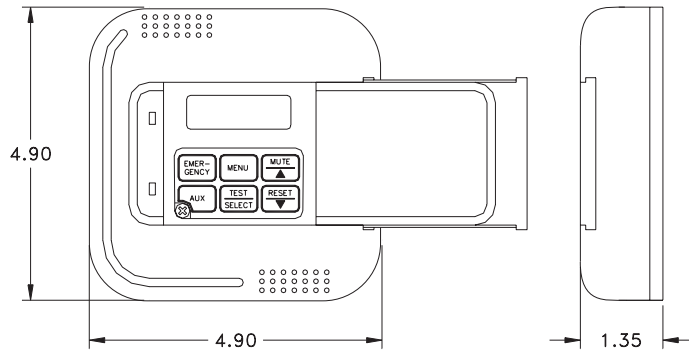
Selection Chart		8631-HM
Positive, Negative, and No Isolation Modes		•
Keyswitch Input		•
Second Sensor Input for Anteroom		•
Alarm Contact		•
Measures Volumetric Flow Rate		•
LonWorks Communications		•

Items Included
Digital interface module
Through-the-wall pressure sensor
Controller output cable, 25 ft
Transformer, 120:24 VAC, 25 VA
Transformer cable, 25 ft

Hardware Options
Flowstation
Room mode keyswitch
Remote alarms

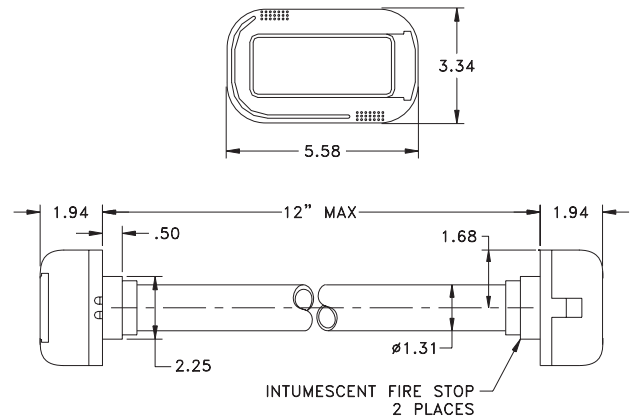
Digital Interface Module Specifications

Display Range	-0.20000 to +0.2000 in. H ₂ O
Low Alarm Range	-0.19500 to +0.19500 in. H ₂ O
High Alarm Range	-0.19500 to +0.19500 in. H ₂ O
Alarm Contacts	SPST (NO) Max Current 5A Max voltage 150 VDC, 250 VAC Min switch load 10 mA, 5 DC
Flow Inputs	(1) 0-10 VDC
User Configurable Analog Output	Signal: 0-10 V or 4 to 20 Ma Range: -0.100 to +0.100 in H ₂ O or -0.010 to +0.010 in H ₂ O
Operating Tempertaure	32 to 120°F
Input Power	24 VAC, 5 W max
Size (HxWxD)	4.90 in. x 4.90 in. x 1.35 in.
Weight	0.7 lb



Sensor Specifications

Range	-0.20000 to +0.2000 in. H ₂ O
Accuracy	10% of reading ±0.00001 in H ₂ O
Resolution	5% of reading
Temp. Comp. Range	55 to 95°F
Power Dissipation	0.16 W at 0 in. H ₂ O 0.20 W at 0.00100 in. H ₂ O
Size (HxWxD)	3.34 in. x 5.58 in. x 1.94 in.
Weight	0.2 lb



Specifications subject to change without notice.

TSI

TSI Incorporated

500 Cardigan Road
Shoreview, MN 55126 U.S.A.

Tel: 651 490 2811

800 874 2811

Fax: 651 490 3824

E-mail: answers@tsi.com